

MFS8 specifications

Number of Cylinders	2
Output	8 hp (5.9 kw)
Displacement	209 cc (12.8 cu.in)
Bore x Stroke	55 x 44 mm (2.17 x 1.73 in)
Starting	Electric or Manual
Control Type	Tiller Handle
Gear Shift	Forward - Neutral - Reverse
Gear Ratio	2.08:1
Propeller Selection Range	6.5" - 9.5"
Transom Height	15", 20"
Weight	81.5 lbs (37 kg)
Alternator Output	Optional: 12V, 80W, 6A*
Max RPM Range	5,000 - 6,000

Standard features include: Digital CD Ignition System, Start in Gear Protection, Thermostat Controlled Cooling System, Through-The-Prop Exhaust, Oil Pressure Warning, and Shallow Water Drive

*Standard on Electric Start Models



MFS8

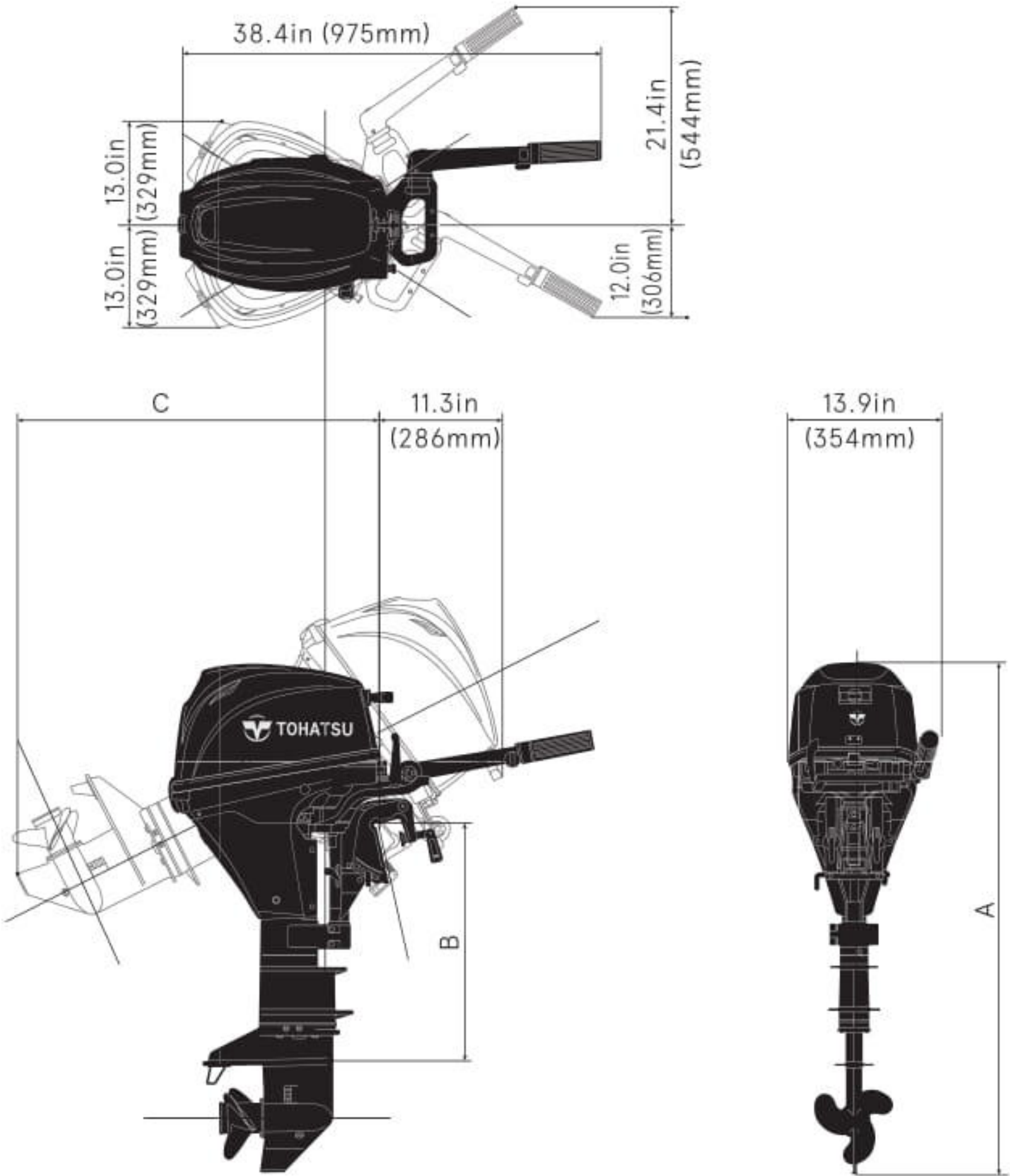
The Tohatsu 8 hp outboard was made to be lightweight and compact without compromising reliability or the quality performance associated with the Tohatsu brand name.

We have maintained the durable standard features while making a fuel-efficient 4-stroke that is easy to transport.



Feel the Wind™

Dimensions



Dry Weight (lbs/kg)

Model	MF	EF
Transom S:	82 (37.0)	-
Transom L:	84 (38.0)	91 (41.0)

Dimensions (in/mm)

Model	A	B	C
Transom S:	40.7 (1035)	17.1 (435)	27.9 (709)
Transom L:	45.7 (1162)	22.1 (562)	32.9 (836)