

MFS6 specifications

Number of Cylinders	1
Output	6 hp (4.4 kw)
Displacement	123 cc (7.5 cu.in)
Bore x Stroke	59 x 45 mm (2.32 x 1.77 in)
Starting	Manual
Control Type	Tiller Handle
Gear Shift	Forward - Neutral - Reverse
Gear Ratio	2.15:1
Propeller Selection Range	6" - 9"
Transom Height	15", 20", 25"
Fuel Tank	Internal and External Models*
Weight	55 lbs (25 kg)
Alternator Output	Optional: 12V, 60W, 5A**
Max RPM Range	5,000 - 6,000

Standard features include: Digital CD Ignition System, Start in Gear Protection, Thermostat Controlled Cooling System, Through-The-Prop Exhaust, Oil Pressure Warning, and Shallow Water Drive

*Internal Fuel Tank Models (MFS6DD): 0.3 US Gal (1.15 Lit) Integral Tank (includes an external fuel tank connector installed on engine to allow user to use an optional external fuel tank) / External Fuel Tank Models (MFS6D): 3.1 US Gal (12 Lit) Separate Fuel Tank

**Standard on SailPro models



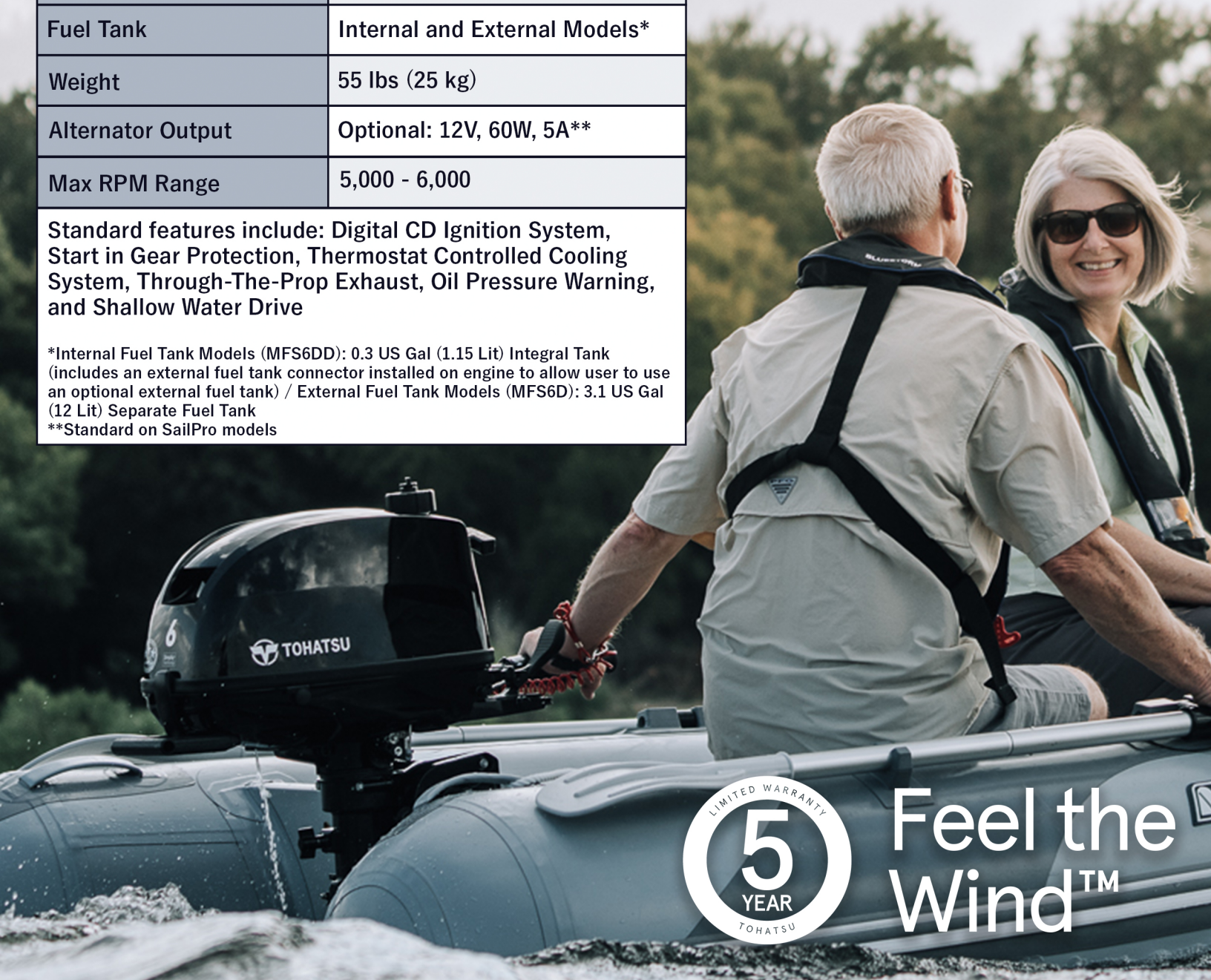
TOHATSU

Feel the Wind™

MFS6

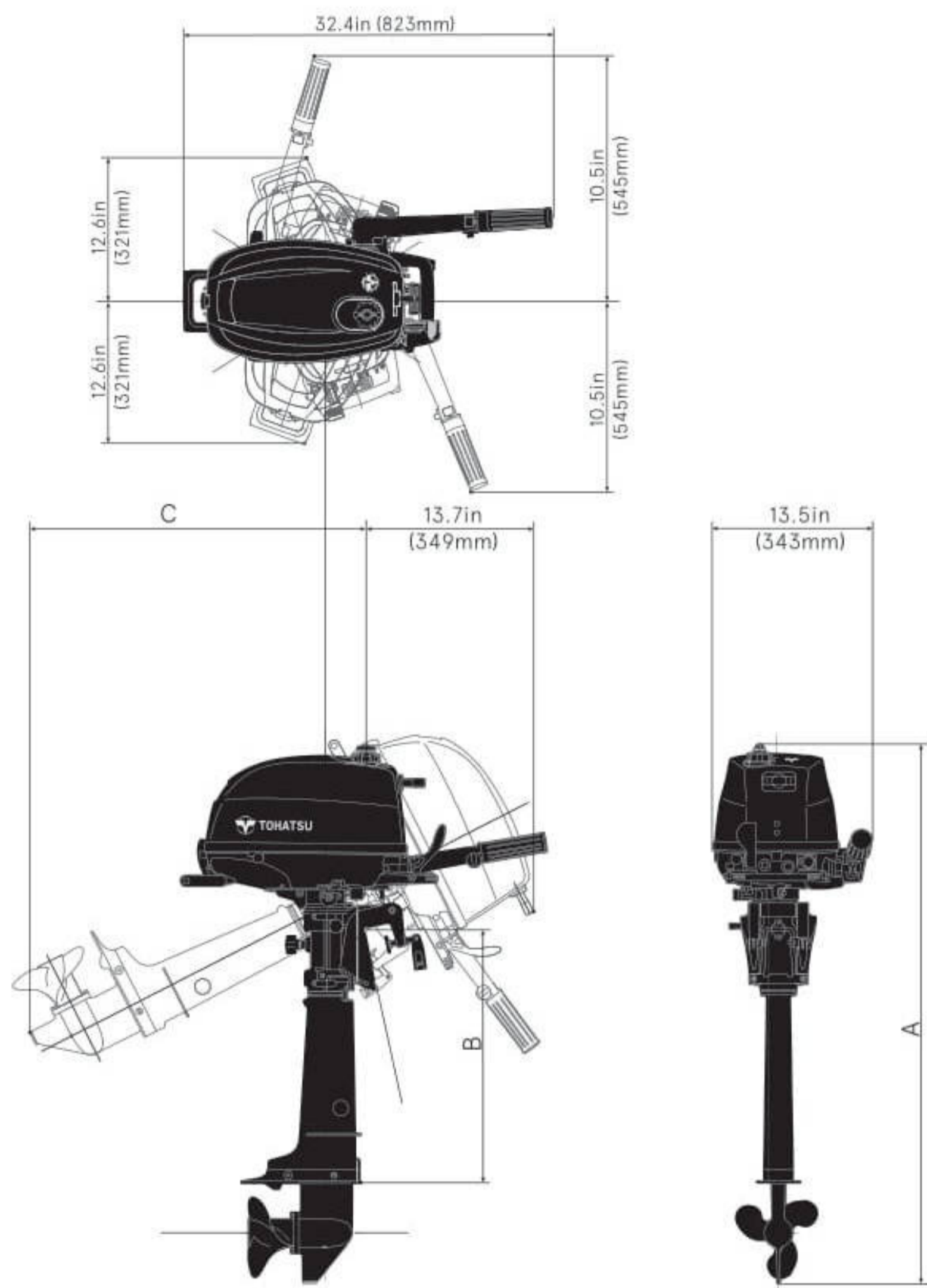
The Tohatsu 6 hp 4-stroke outboard provides all the power you need for motoring in a small craft. The engine provides fuel efficiency second to none, and a redesigned carrying handle and holding grip makes it convenient to transport.

Also available in a SailPro model, specifically designed for sail boaters!



Feel the Wind™

Dimensions



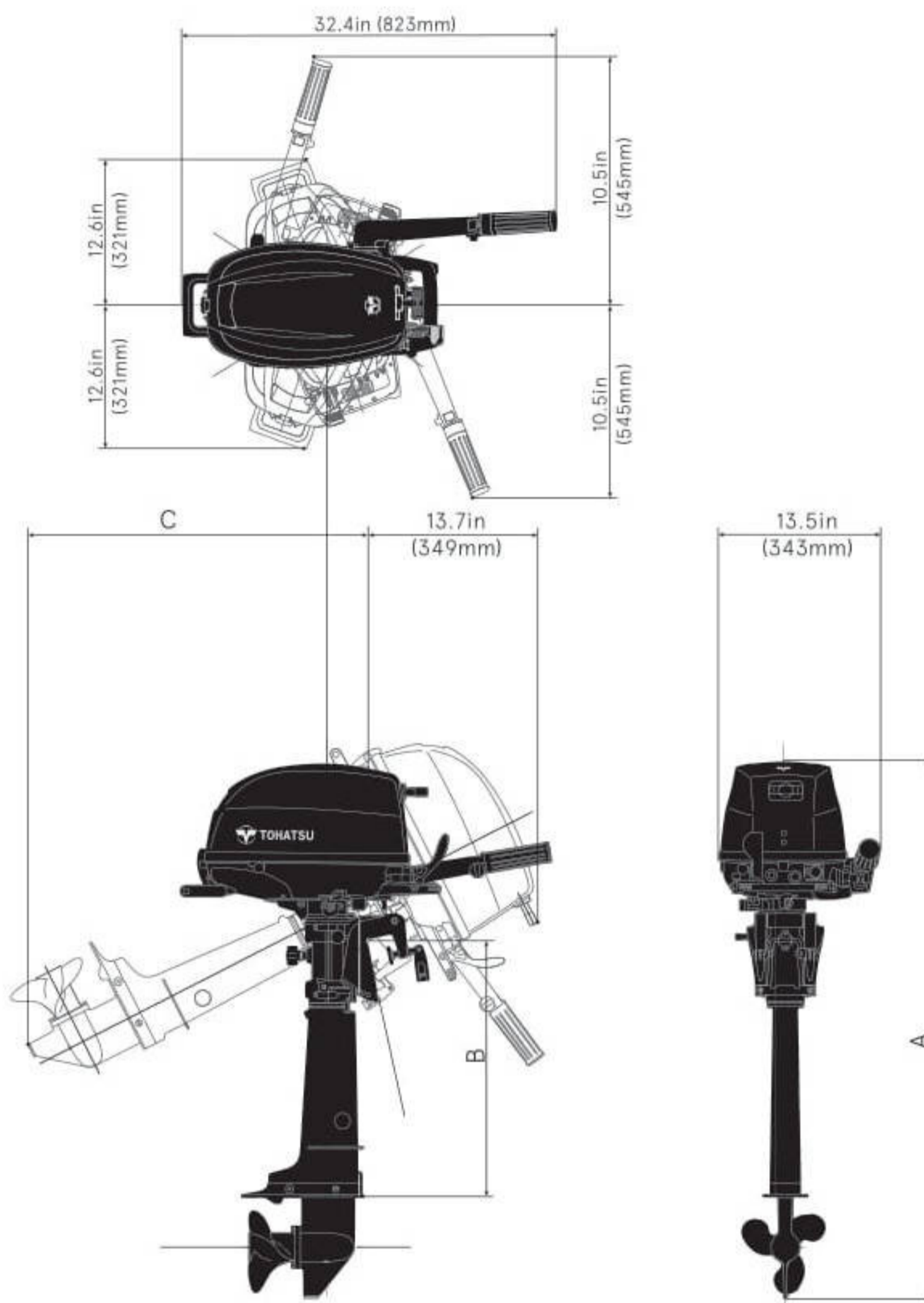
Dry Weight (lbs/kg)

Model	MF
Transom S:	57 (26.1)
Transom L:	59 (26.6)

Dimensions (in/mm)

Model	A	B	C
Transom S:	41.5 (1053)	17.1 (435)	25.9 (658)
Transom L:	46.2 (1180)	22.1 (562)	29.8 (758)

Dimensions



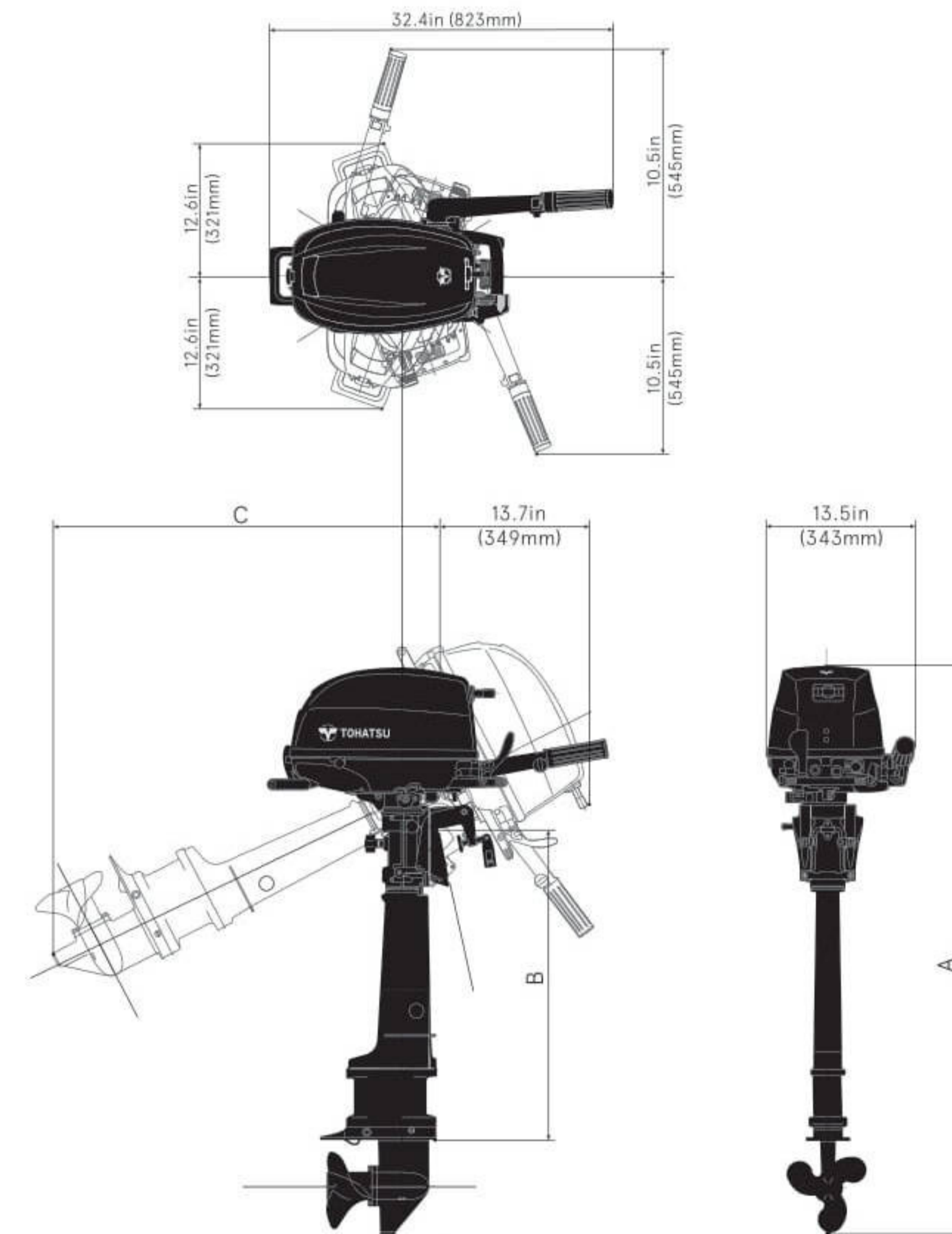
Dry Weight (lbs/kg)

Model	MF
Transom S:	56 (25.6)
Transom L:	57 (26.1)

Dimensions (in/mm)

Model	A	B	C
Transom S:	40.9 (1039)	17.1 (435)	25.9 (658)
Transom L:	45.9 (1166)	22.1 (562)	29.8 (758)

Dimensions



Dry Weight (lbs/kg)

Model	MF
Transom L:	57 (26.1)
Transom UL:	59 (26.6)

Dimensions (in/mm)

Model	A	B	C
Transom L:	45.9 (1166)	22.1 (562)	29.8 (758)
Transom UL:	50.9 (1293)	27.1 (689)	33.8 (858)