



# MFS60

Tohatsu's EFI 60hp 4-stroke uses proven technologies such as: dual intake valves, anodized pistons and a modified roller rocker arm. Your time on the water will be equipped with smoother and faster acceleration.

Available in Aqua Marine Blue and Beluga White, allowing you to best match your boating style.

## MFS60 specifications

Number of Cylinders	3
Output	60 hp (44.1 kw)
Displacement	866 cc (52.84 cu.in)
Bore x Stroke	70 x 75 mm (2.75 x 2.95 in)
Starting	Electric
Control Type	Remote Control or Tiller Handle
Gear Shift	Forward - Neutral - Reverse
Gear Ratio	2.08:1
Transom Height	15", 20", 25"
Weight	213 lbs (96.5 kg)
Alternator Output	12V, 252W, 21A
Max RPM Range	5,000 - 6,000

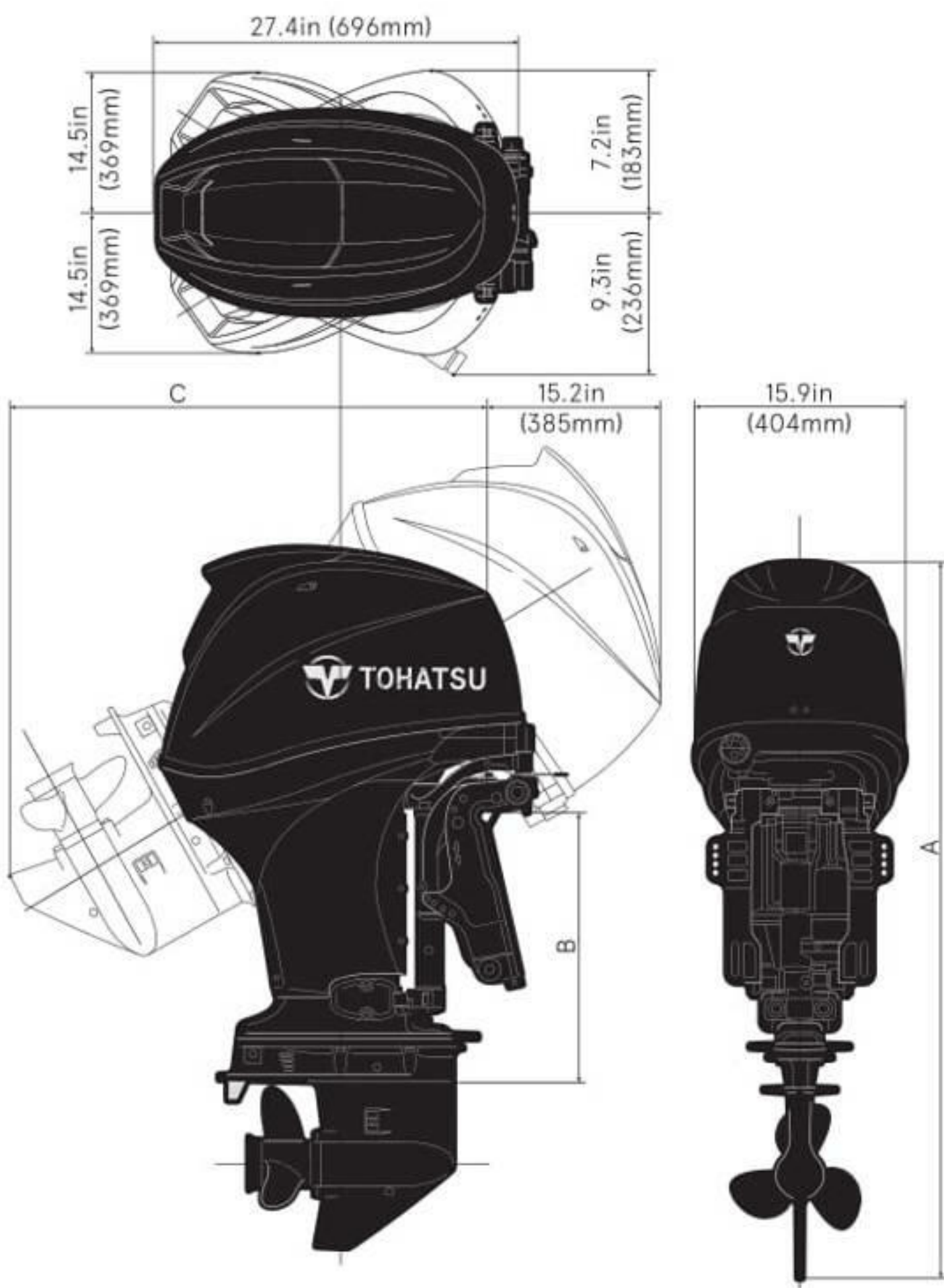
Standard features include: MicroComputer Programmed Ignition System, Electronic Fuel Injection, Start in Gear Protection, Thermostat Controlled Cooling System, Through-The-Prop Exhaust, Overheat Buzzer, Power Trim and Tilt, Oil Pressure Warning, and Variable Idle Speed.



Feel the  
Wind™

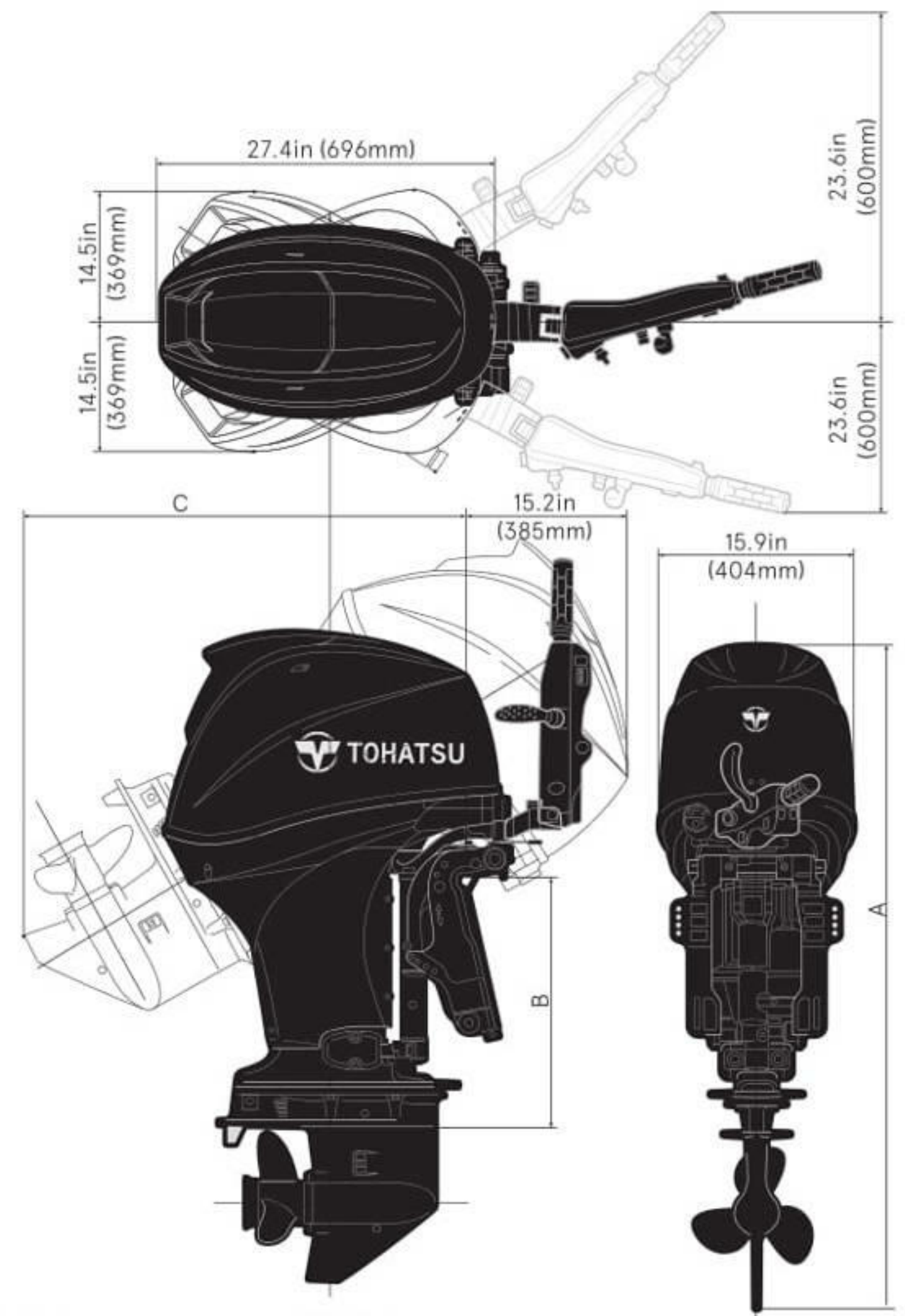


**Dimensions**



Dry Weight (lbs/kg)	
Model	ET
Transom S:	213 (96.5)
Transom L:	217 (98.5)
Transom UL:	223 (101.5)

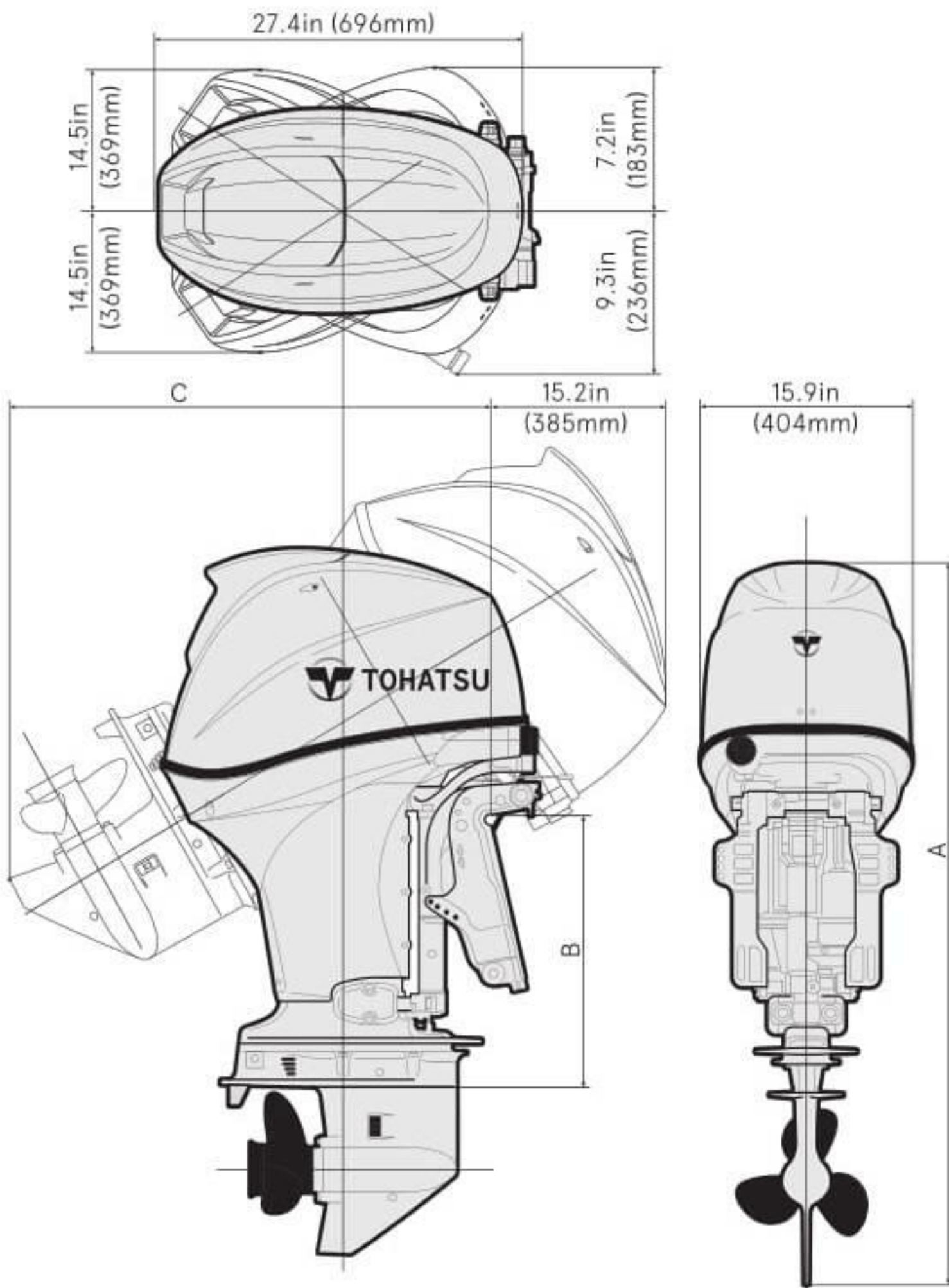
Dimensions (in/mm)			
Model	A	B	C
Transom S:	49.5 (1257)	15.9 (405)	31.9 (811)
Transom L:	54.7 (1390)	21.2 (538)	36.6 (930)
Transom UL:	59.2 (1504)	25.6 (652)	40.5 (1031)



Dry Weight (lbs/kg)	
Model	ET
Transom S:	224 (101.5)
Transom L:	228 (103.5)
Transom UL:	234 (106.5)

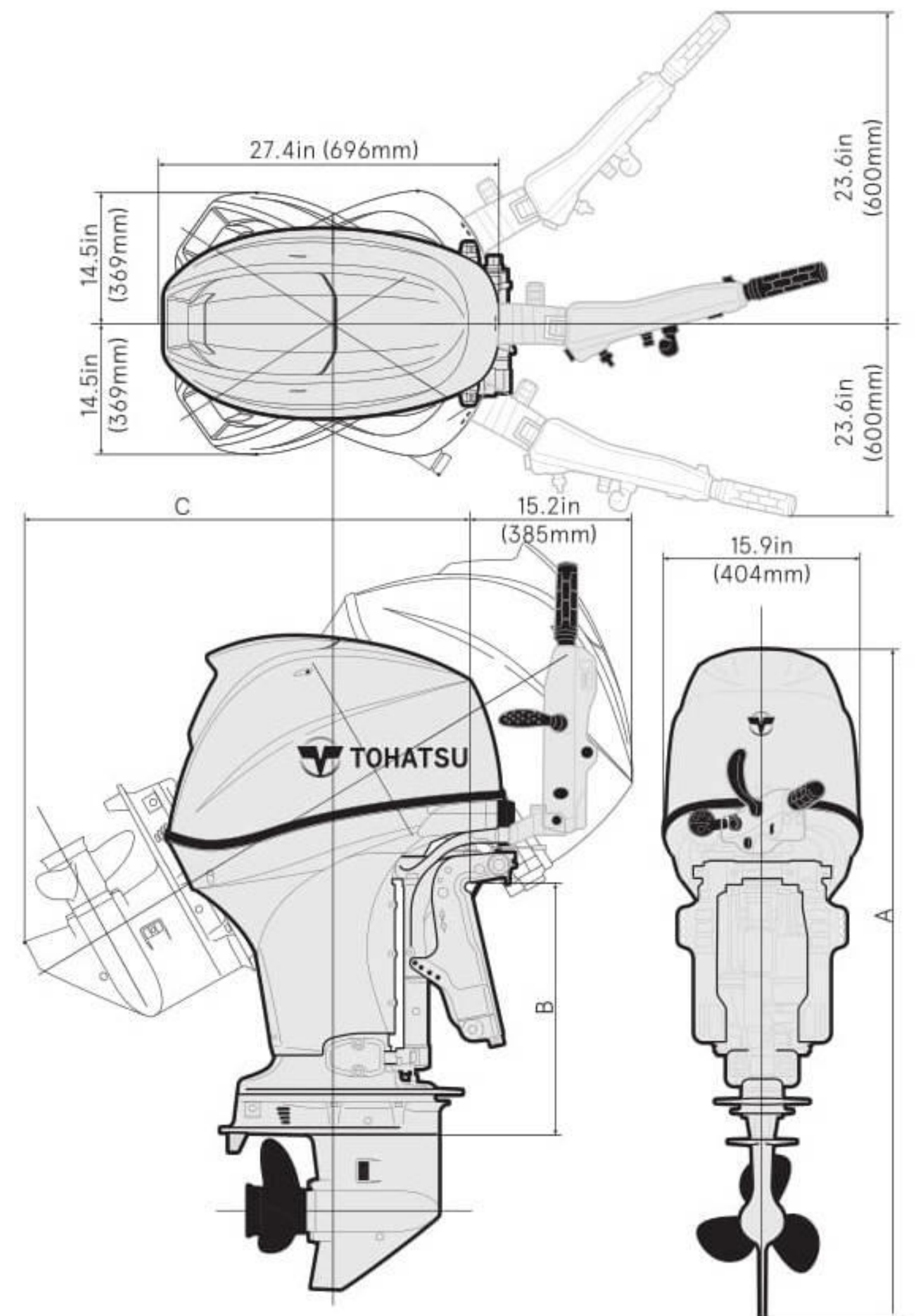
Dimensions (in/mm)			
Model	A	B	C
Transom S:	49.5 (1257)	15.9 (405)	31.9 (811)
Transom L:	54.7 (1390)	21.2 (538)	36.6 (930)
Transom UL:	59.2 (1504)	25.6 (652)	40.5 (1031)

**Dimensions**



Dry Weight (lbs/kg)	
Model	ET
Transom L:	217 (98.5)

Dimensions (in/mm)			
Model	A	B	C
Transom L:	54.7 (1390)	21.2 (538)	36.6 (930)



Dry Weight (lbs/kg)	
Model	ET
Transom L:	228 (103.5)

Dimensions (in/mm)			
Model	A	B	C
Transom L:	54.7 (1390)	21.2 (538)	36.6 (930)