

MFS5LPG specifications

Number of Cylinders	1
Output	5 hp (3.7 kw)
Displacement	123 cc (7.5 cu.in)
Bore x Stroke	59 x 45 mm (2.32 x 1.77 in)
Starting	Manual
Control Type	Tiller Handle
Gear Shift	Forward - Neutral - Reverse
Gear Ratio	2.15:1
Propeller Selection Range	6" - 9"
Transom Height	15", 20", 25"
Fuel	LPG HD-5 (More than 65% Propane)
Weight	59.5 lbs
Alternator Output	Optional: 12V, 60W, 5A*
Max RPM Range	5,000 - 6,000

Standard features include: Digital CD Ignition System, Safety Fuel Shut Off Valve, Start in Gear Protection, Thermostat Controlled Cooling System, Through-The-Prop Exhaust, Oil Pressure Warning, and Shallow Water Drive

*Standard on SailPro models



MFS5LPG

The Tohatsu 5 hp Propane comes equipped with a fuel line that will connect to any standard North American propane tank. Our innovative LPG outboard will run for a full five hours at wide open throttle on a single 11 lb propane tank, without sacrificing performance.

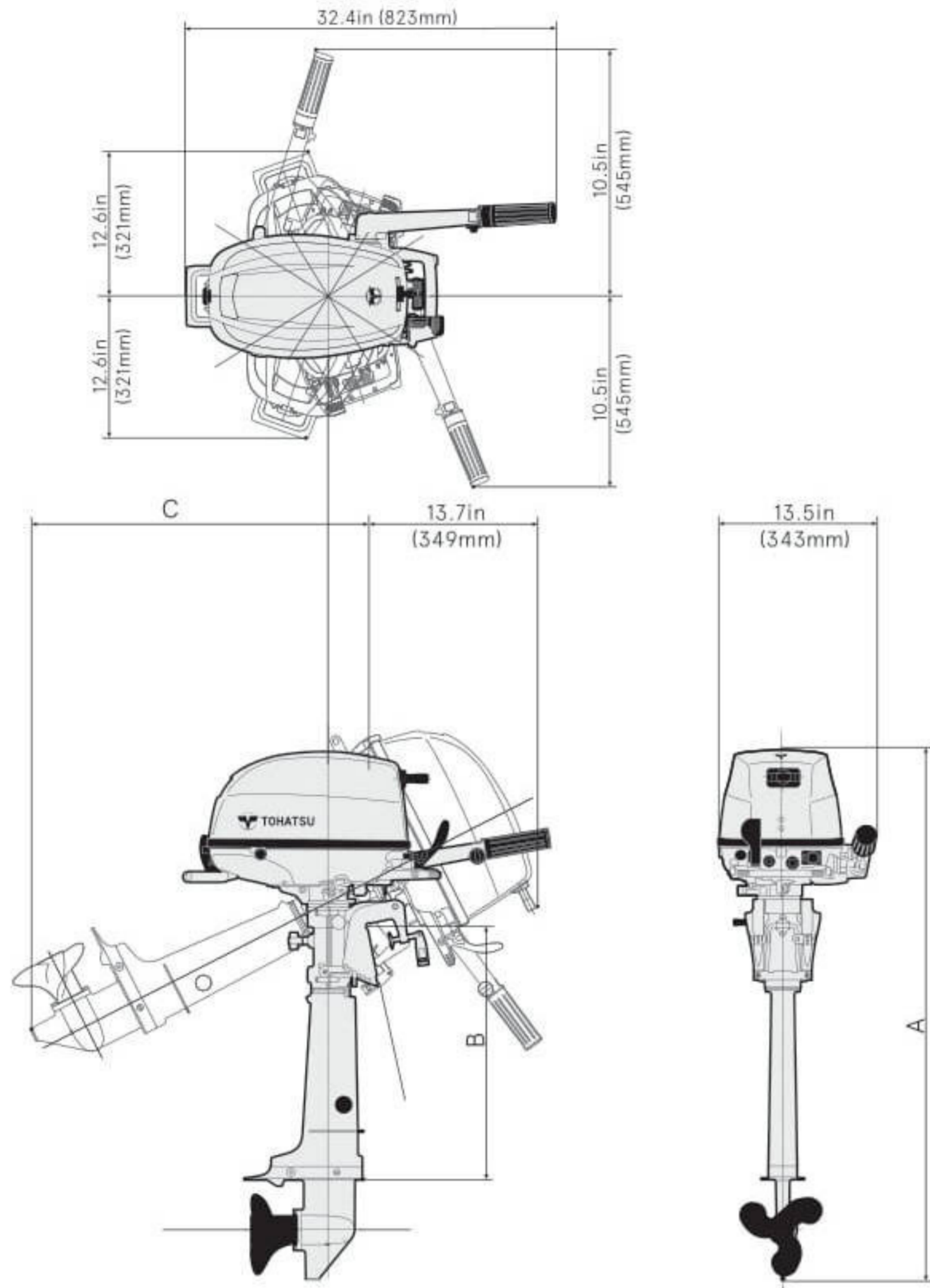
The MFS5LPG's Safety Fuel Shut Off Valve keeps propane fuel from continuously flowing when the engine is not in use. Plus, the outboard requires almost zero maintenance on fuel-related components.

Also available in a SailPro model, specifically designed for sail boaters!



Feel the Wind™

Dimensions



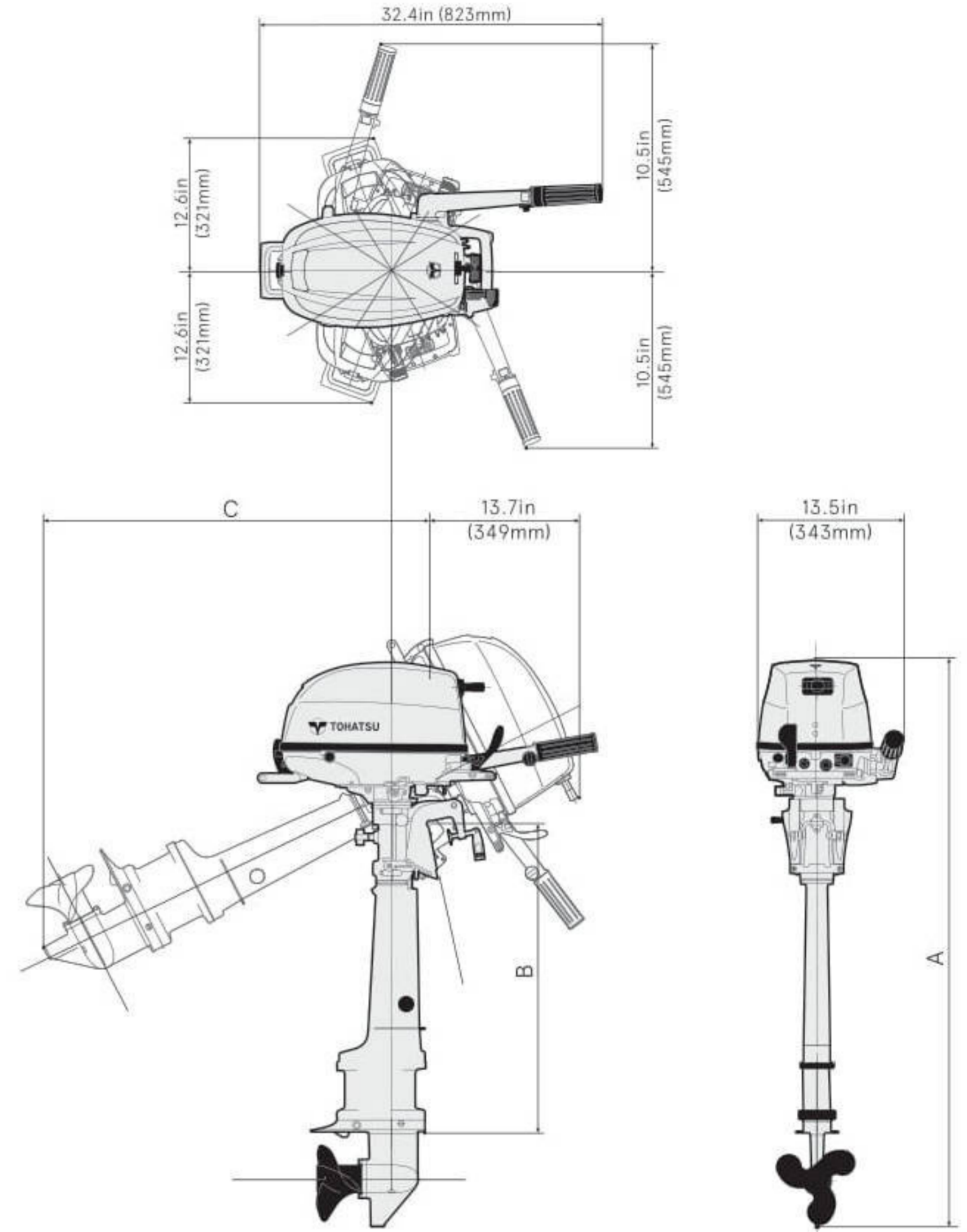
Dry Weight (lbs/kg)

Model	MF
Transom S:	60 (27.2)

Dimensions (in/mm)

Model	A	B	C
Transom S:	40.9 (1039)	17.1 (435)	25.9 (658)

Dimensions



Dry Weight (lbs/kg)

Model	MF
Transom L:	61 (27.7)
Transom UL:	62 (28.2)

Dimensions (in/mm)

Model	A	B	C
Transom L:	45.9 (1166)	22.1 (562)	29.8 (758)
Transom UL:	50.9 (1293)	27.1 (689)	33.8 (858)