

## MFS5 specifications

Number of Cylinders	1
Output	5 hp (3.7 kw)
Displacement	123 cc (7.5 cu.in)
Bore x Stroke	59 x 45 mm (2.32 x 1.77 in)
Starting	Manual
Control Type	Tiller Handle
Gear Shift	Forward - Neutral - Reverse
Gear Ratio	2.15:1
Propeller Selection Range	6" - 9"
Transom Height	15", 20"
Fuel Tank	3.1 US Gal (12 Lit) Separate Fuel Tank
Weight	55 lbs (25 kg)
Alternator Output	Optional: 12V, 60W, 5A
Max RPM Range	4,500 - 5,000

Standard features include: Digital CD Ignition System, Start in Gear Protection, Thermostat Controlled Cooling System, Through-The-Prop Exhaust, Oil Pressure Warning, and Shallow Water Drive

# PORTABLE

without compromising

# POWER

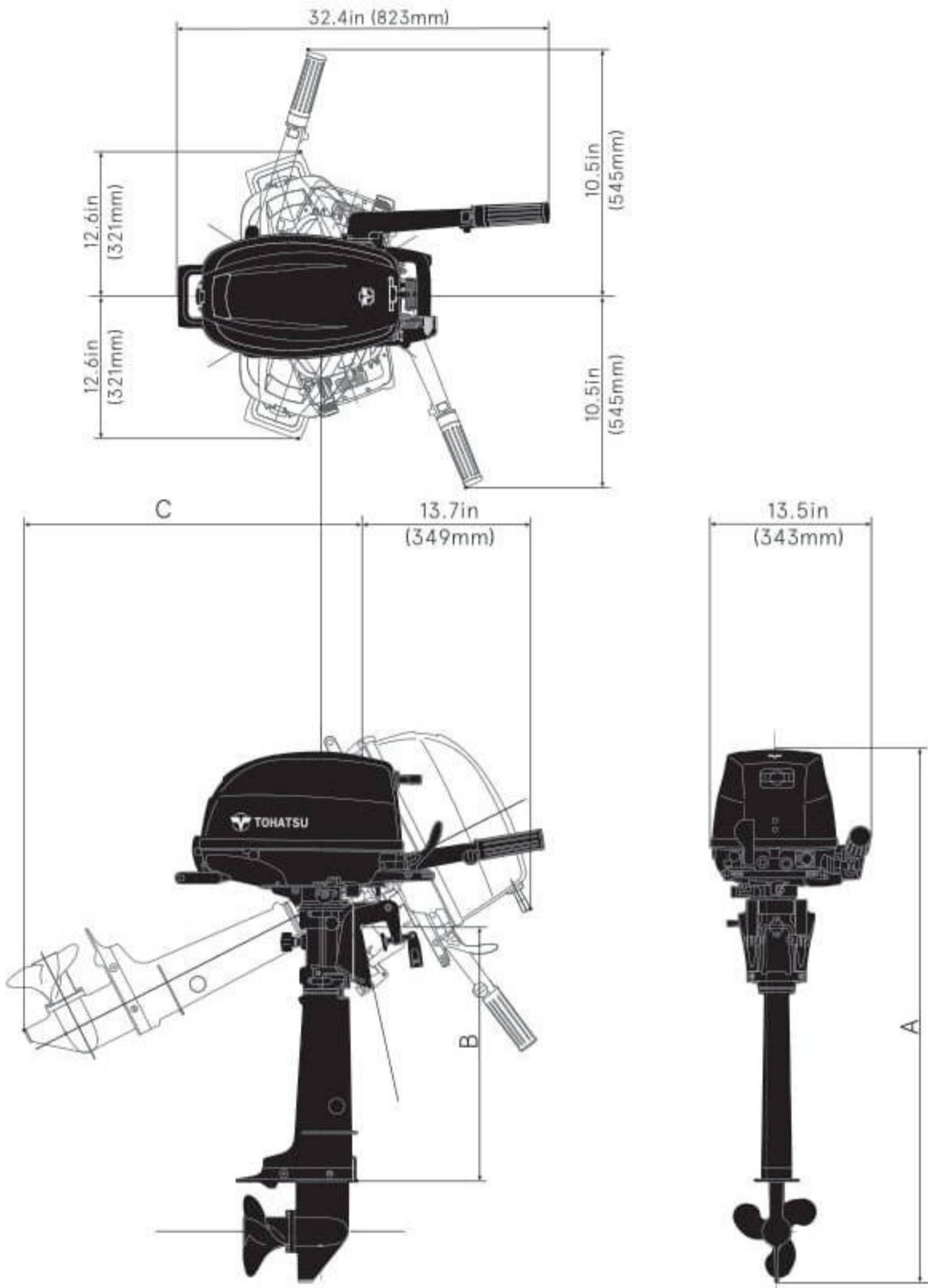
## MFS5



## Feel the Wind™



## Dimensions



**Dry Weight (lbs/kg)**

Model	MF
Transom S:	56 (25.6)
Transom L:	57 (26.1)

**Dimensions**

(in/mm)

Model	A	B	C
Transom S:	40.9 (1039)	17.1 (435)	25.9 (658)
Transom L:	45.9 (1166)	22.1 (562)	29.8 (758)