

# MFS4

When you have a small boat that needs reliable power, look to the MFS4. It provides Tohatsu's legendary quality while also providing cleaner emissions for you and the environment.

The portable design features front and back carrying handles and the ability to store in three different positions.

## MFS4 specifications

Number of Cylinders	1
Output	4 hp (2.9 kw)
Displacement	123 cc (7.5 cu.in)
Bore x Stroke	59 x 45 mm (2.32 x 1.77 in)
Starting	Manual
Control Type	Tiller Handle
Gear Shift	Forward - Neutral - Reverse
Gear Ratio	2.15:1
Propeller Selection Range	6" - 9"
Transom Height	15", 20"
Fuel Tank	0.3 US Gal (1.15 Lit) Integral Tank*
Weight	57 lbs (26 kg)
Alternator Output	Optional: 12V, 60W, 5A
Max RPM Range	4,500 - 5,000

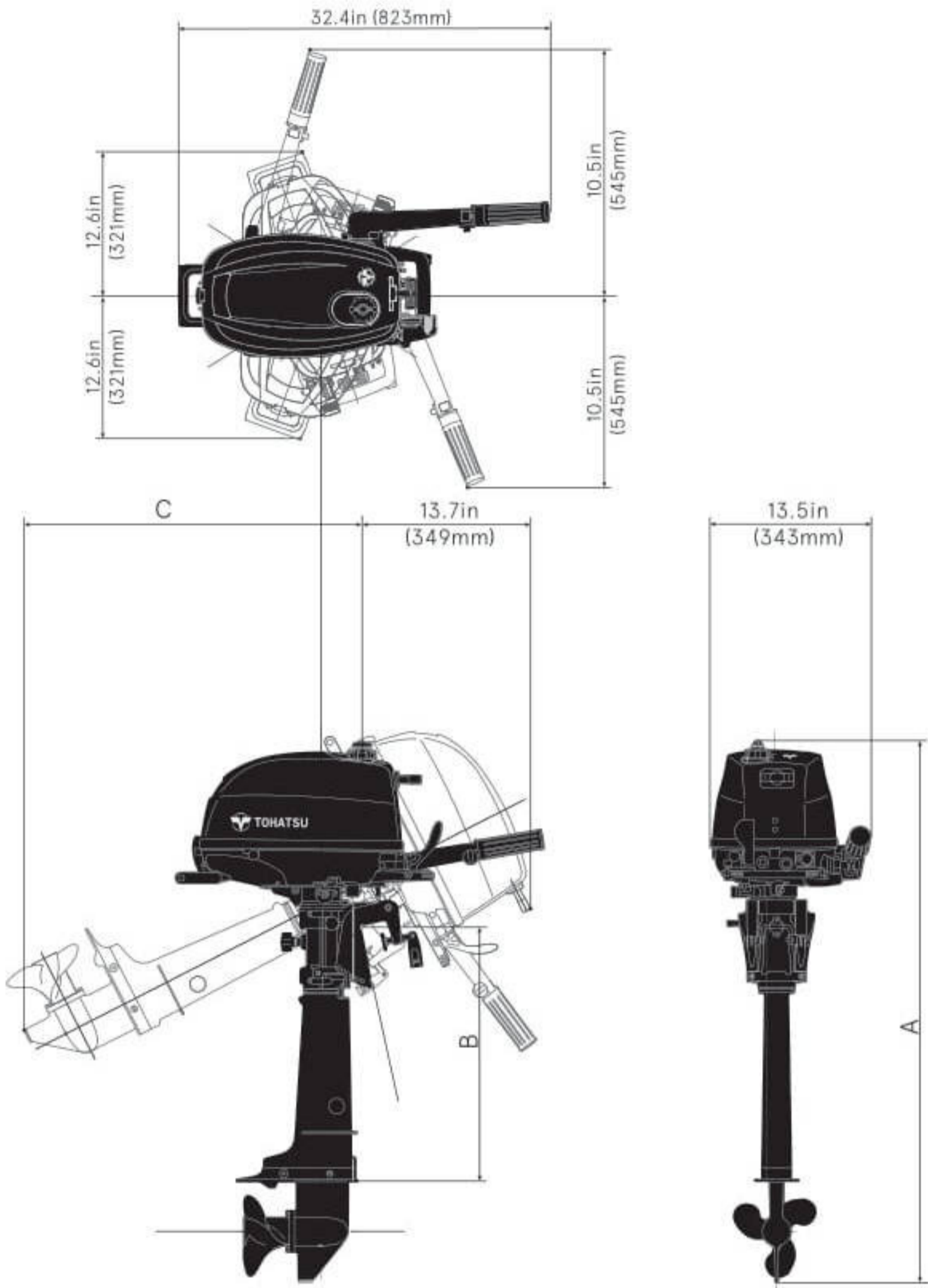
Standard features include: Digital CD Ignition System, Start in Gear Protection, Thermostat Controlled Cooling System, Through-The-Prop Exhaust, Oil Pressure Warning, and Shallow Water Drive

\*4hp includes an External Fuel Tank Connector installed on engine to allow user to use an optional external fuel tank



Feel the  
Wind™

## Dimensions



**Dry Weight (lbs/kg)**

Model	MF
Transom S:	57 (26.1)
Transom L:	59 (26.6)

**Dimensions**

(in/mm)

Model	A	B	C
Transom S:	41.5 (1053)	17.1 (435)	25.9 (658)
Transom L:	46.2 (1180)	22.1 (562)	29.8 (758)