

MFS30 specifications

Number of Cylinders	3
Output	30 hp (22.1 kw)
Displacement	526 cc (32.09 cu. in)
Bore x Stroke	61 x 60 mm (2.40 x 2.36 in)
Starting	Electric or Manual
Control Type	Remote Control or Tiller Handle
Gear Shift	Forward - Neutral - Reverse
Gear Ratio	2.17:1
Propeller Selection Range	8" - 14"
Transom Height	15", 20"
Weight	157 lbs (71.5 kg)
Alternator Output	Optional: 12V, 180W, 15A*
Max RPM Range	5,250 - 6,250
Power Trim and Tilt	Option
Shallow Water Drive	Option

Standard features include: Electronic Fuel Injection, Digital CD Ignition System, Start in Gear Protection, Thermostat Controlled Cooling System, Through-The-Prop Exhaust, and Oil Pressure Warning.

*Standard on Electric Start Models



MFS30

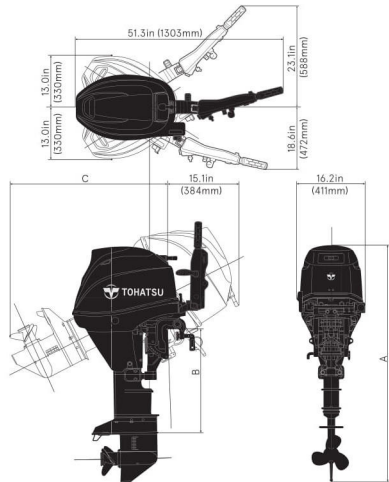
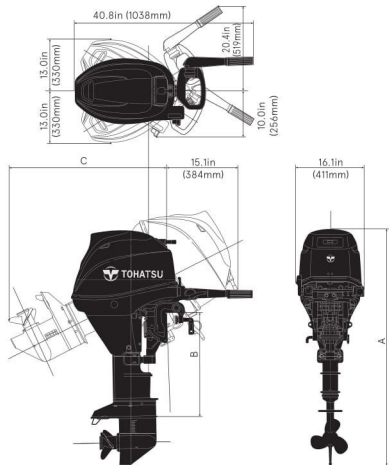
Whether you are cruising, fishing or working, the 30 hp Electronic Fuel Injection 4-stroke outboard will meet your needs. Available in both Aqua Marine Blue and Beluga White, the MFS30 is built to match your style.

Tohatsu is the first to offer a battery-less EFI system that provides quick throttle response and incredibly smooth rides. The MFS30 is the ideal choice for compact power.



Feel the
Wind™

Dimensions


Dry Weight (lbs/kg)

Model	ET
Transom S:	179 (81.0)
Transom L:	182 (82.5)

Dimensions (mm/in)

Model	A	B	C
Transom S:	46.8 (1189)	15.9 (404)	29.8 (756)
Transom L:	52.6 (1337)	21.7 (552)	34.9 (887)

Dry Weight (lbs/kg)

Model	EFT	EPT
Transom L:	190 (86.5)	182 (82.5)
Transom UL:	195 (88.5)	186 (84.5)

Dimensions (in/mm)

Model	A	B	C
Transom L:	52.6 (1337)	21.7 (552)	34.3 (871)
Transom UL:	57.6 (1463)	26.7 (679)	38.6 (981)