

MFS25 specifications

Number of Cylinders	3
Output	25 hp (18.4 kw)
Displacement	526 cc (32.09 cu. in)
Bore x Stroke	61 x 60 mm (2.40 x 2.36 in)
Starting	Electric or Manual
Control Type	Remote Control or Tiller Handle
Gear Shift	Forward - Neutral - Reverse
Gear Ratio	2.17:1
Propeller Selection Range	8" - 14"
Transom Height	15", 20"
Weight	157 lbs (71.5 kg)
Alternator Output	Optional: 12V, 180W, 15A*
Max RPM Range	5,000 - 6,000
Power Trim and Tilt	Option
Shallow Water Drive	Option

Standard features include: Electronic Fuel Injection, Digital CD Ignition System, Start in Gear Protection, Thermostat Controlled Cooling System, Through-The-Prop Exhaust, and Oil Pressure Warning.

*Standard on Electric Start Models



MFS25

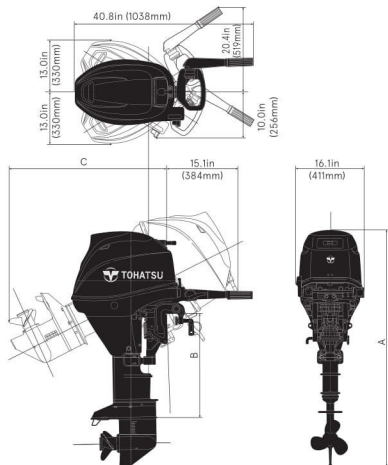
With Tohatsu's reputation for powerful speed and unmatched reliability, the MFS25 allows you to make the most of your motor on the water.

The industry-first battery-less electronically controlled fuel injection provides quick throttle response, excellent fuel economy, and very smooth rides on the water.



Feel the
Wind™

Dimensions


Dry Weight

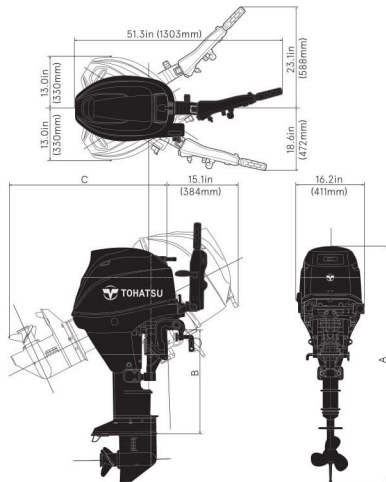
(lbs/kg)

Model	MF	E	ET
Transom S:	158 (71.5)	161 (73.0)	179 (81.0)
Transom L:	-	164 (74.5)	182 (82.5)

Dimensions

(in/mm)

Model	A	B	C
Transom S:	46.8 (1189)	15.9 (404)	29.8 (756)
Transom L:	52.6 (1337)	21.7 (552)	34.9 (887)


Dry Weight

(lbs/kg)

Model	EFT	EPT
Transom L:	190 (86.5)	182 (82.5)

Dimensions

(in/mm)

Model	A	B	C
Transom L:	52.6 (1337)	21.7 (552)	34.3 (871)