

## MFS20 specifications

Number of Cylinders	2
Output	20 hp (14.7 kw)
Displacement	333 cc (20.32 cu.in)
Bore x Stroke	61 x 57 mm (2.40 x 2.24 in)
Starting	Electric or Manual
Control Type	Remote Control or Tiller Handle
Gear Shift	Forward - Neutral - Reverse
Gear Ratio	2.15:1
Propeller Selection Range	6" - 10"
Transom Height	15", 20", 25"
Weight	94.7 lbs (43 kg)
Alternator Output	Optional: 12V, 145W, 12A*
Max RPM Range	5,400 - 6,100
Power Tilt	Option

Standard features include: Digital CD Ignition System, Start in Gear Protection, Thermostat Controlled Cooling System, Through-The-Prop Exhaust, Oil Pressure Warning, and Shallow Water Drive

\*Standard on Electric Start Models

# MFS20



Claiming the title of lightest weight outboard in its class, Tohatsu's MFS20 is a great choice for a wide variety of boaters. This 20hp battery-less electronic fuel injection 4-stroke has exceptional torque and top end speed, with low vibration.

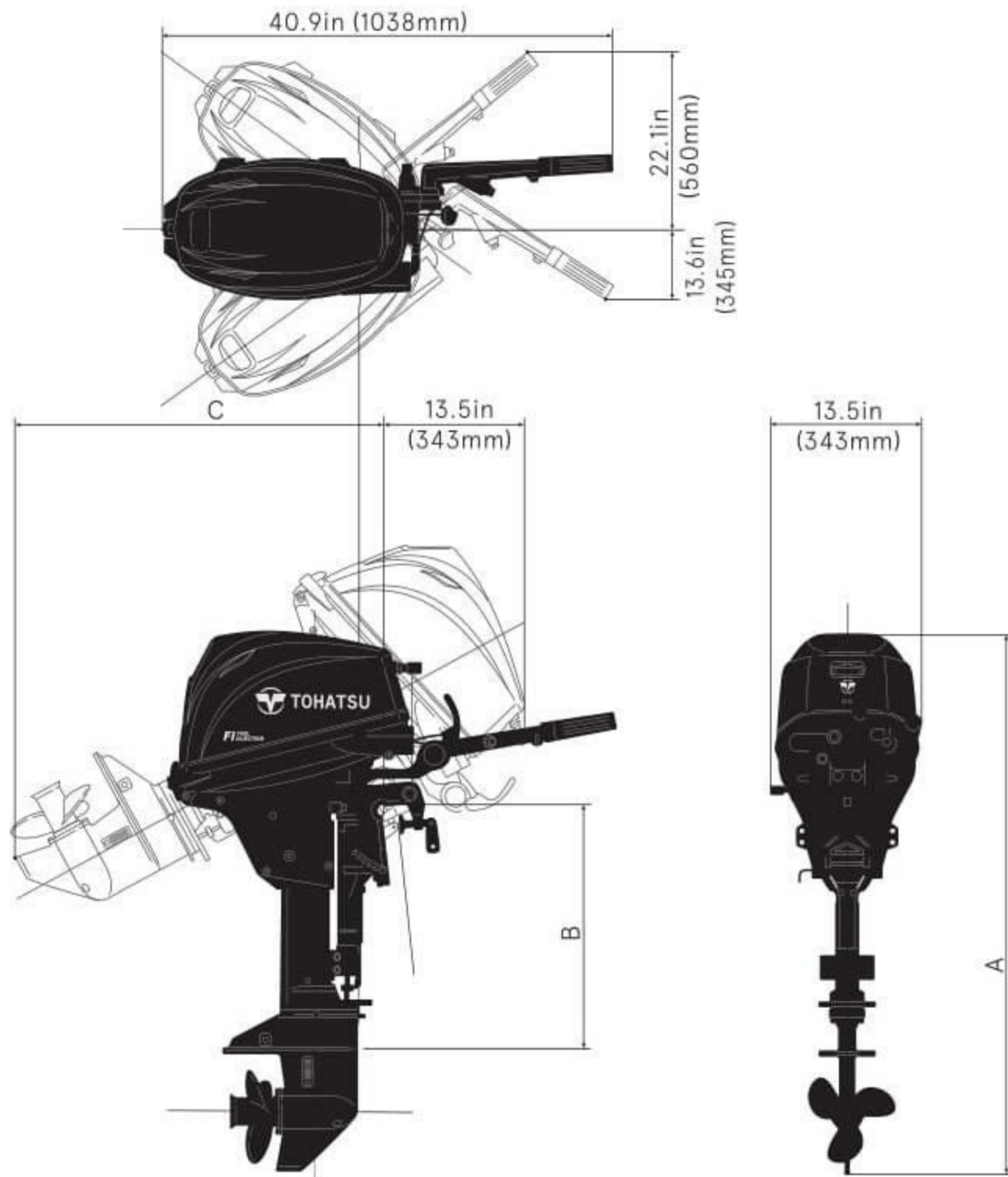
Also available on many models is the Power Tilt feature. The 20hp Power Tilt is ideal for inflatable, fishing, and pontoon boats.

Offered in Aqua Marine Blue and Beluga White, boaters can choose which engine best fits their style.

# Feel the Wind™



Dimensions



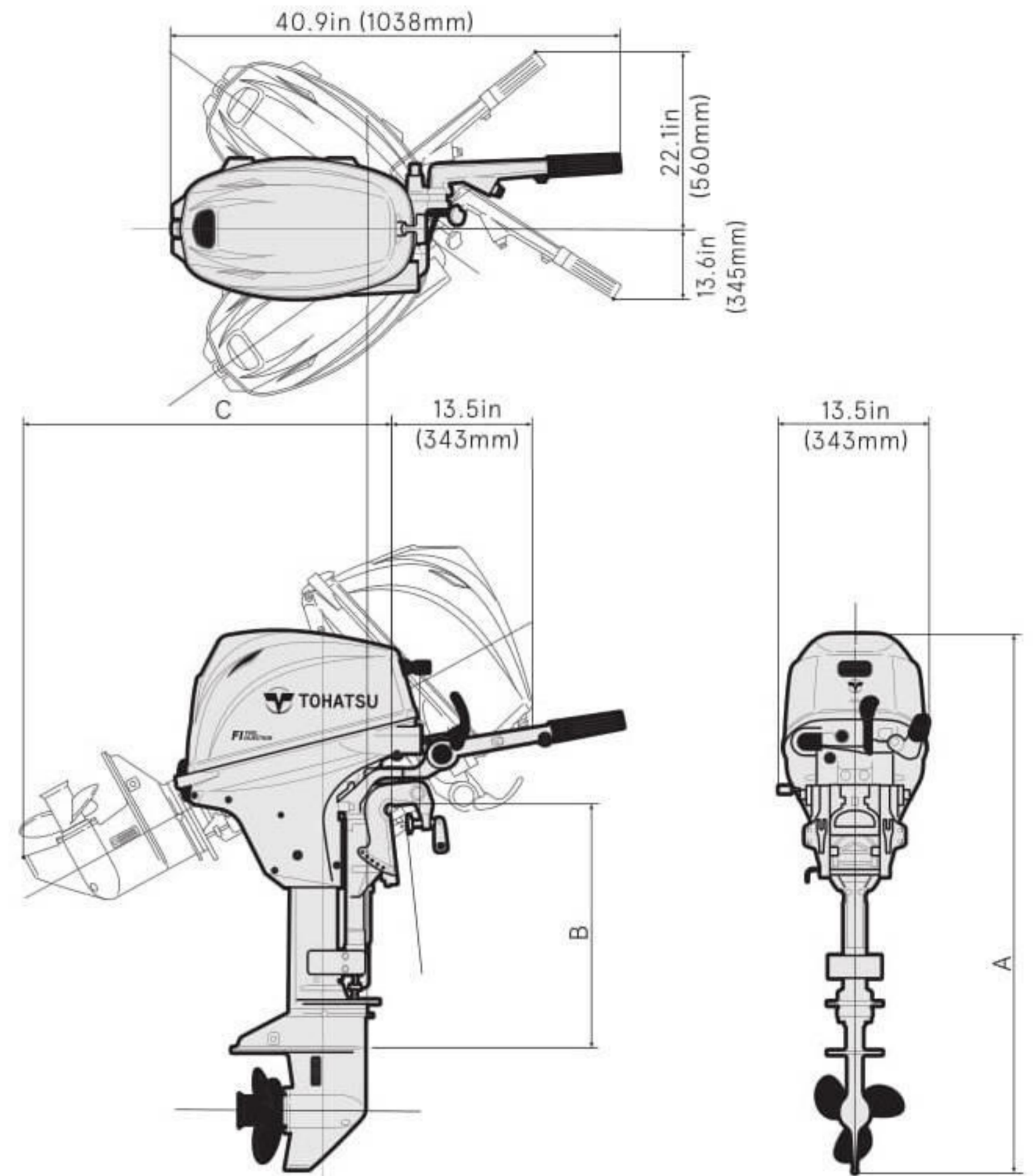
Dry Weight (lbs/kg)

Model	MF	EF	EP	EFT	EPT
Transom S:	94.7 (43.0)	103.6 (47.0)	101.4 (46.0)	115.7 (52.5)	113.5 (51.5)
Transom L:	97.0 (44.0)	105.8 (48.0)	103.6 (47.0)	117.9 (53.5)	115.7 (52.5)
Transom UL:	-	-	-	-	119.0 (54.0)

Dimensions (in/mm)

Model	A	B	C
Transom S:	43.9 (1116)	16.3 (413)	28.9 (735)
Transom L:	49.5 (1258)	22.1 (562)	34.3 (872)
Transom UL:	54.6 (1386)	27.1 (689)	38.9 (988)

Dimensions



Dry Weight (lbs/kg)

Transom S:	113.5 (51.5)
Transom L:	115.7 (52.5)

Dimensions (in/mm)

Model	A	B	C
Transom S:	43.9 (1116)	16.3 (413)	28.9 (735)
Transom L:	49.5 (1258)	22.1 (562)	34.3 (872)