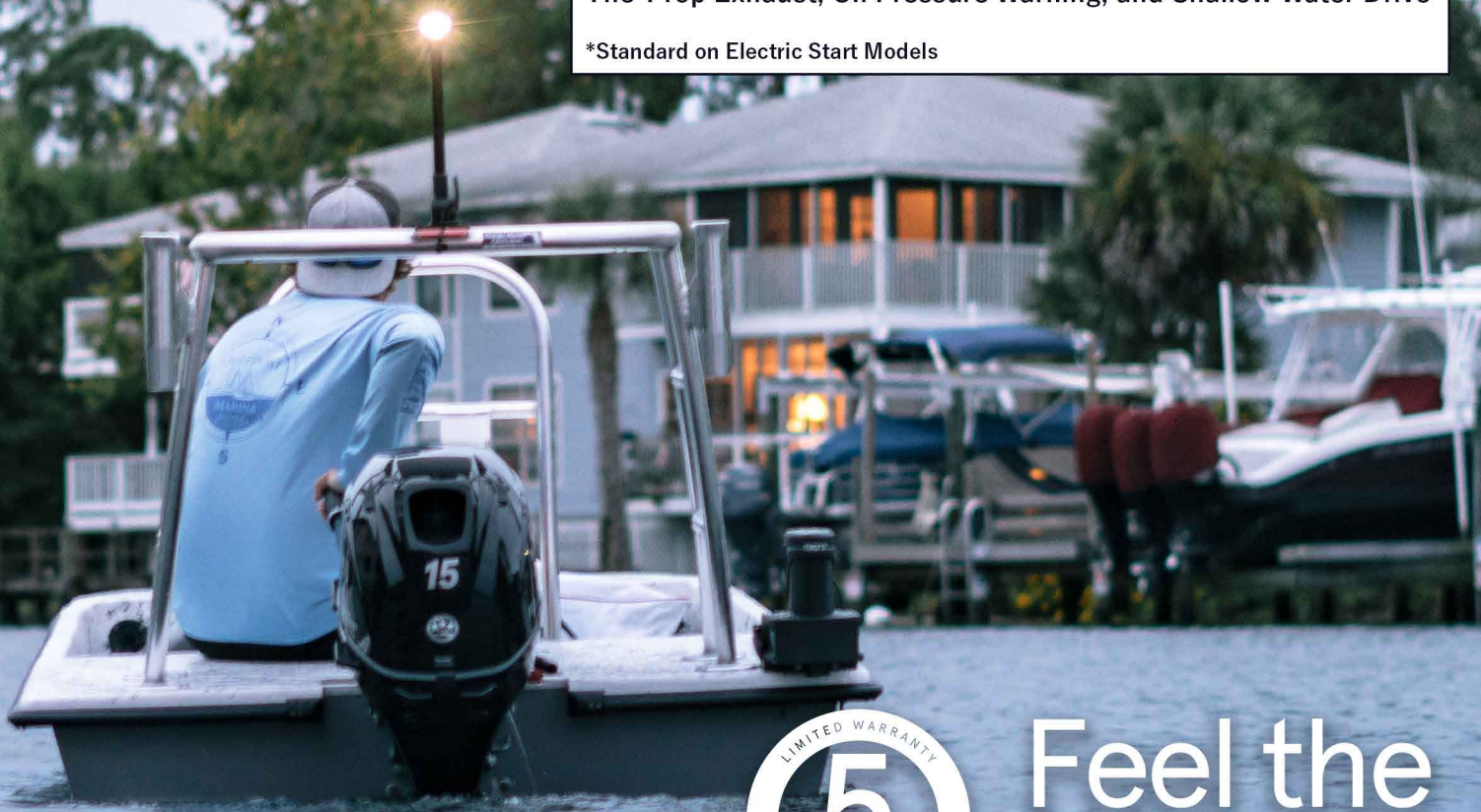


MFS15

Tohatsu's 15 hp model is the lightest 4-stroke battery-less EFI 15 hp model in the industry. With a quick startup, the MFS15 provides crisp acceleration throughout all RPM ranges as well as significantly increased fuel efficiency at wide open throttle. We've added power tilt to our remote steering/throttle models to provide you even greater operating convenience.

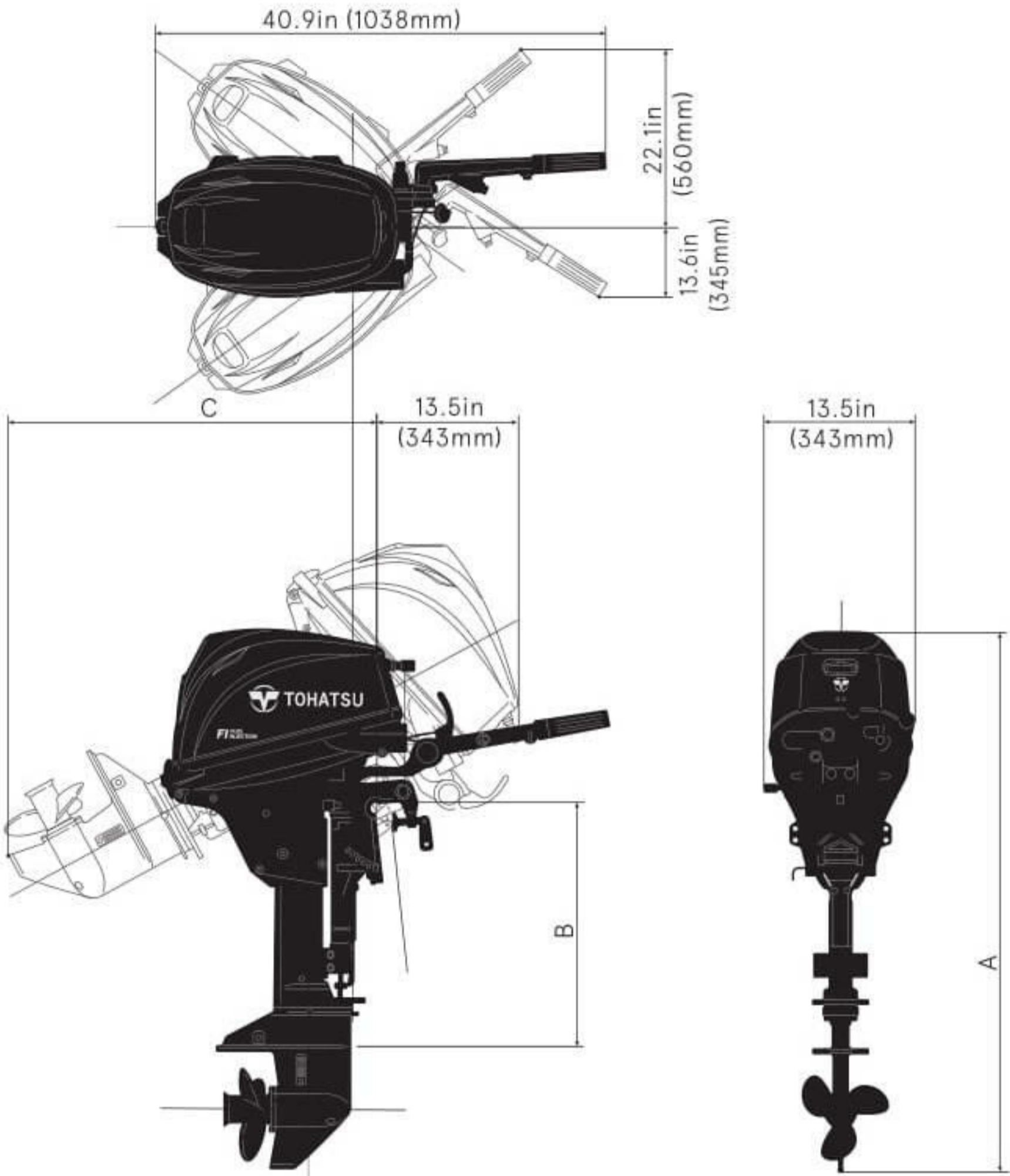


MFS15 specifications	
Number of Cylinders	2
Output	15 hp (11.0 kw)
Displacement	333 cc (20.32 cu.in)
Bore x Stroke	61 x 57 mm (2.40 x 2.24 in)
Starting	Electric or Manual
Control Type	Remote Control or Tiller Handle
Gear Shift	Forward - Neutral - Reverse
Gear Ratio	2.15:1
Propeller Selection Range	6" - 10"
Transom Height	15", 20"
Weight	94.7 lbs (43 kg)
Alternator Output	Optional: 12V, 145W, 12A*
Max RPM Range	5,400 - 6,100
Power Tilt	Option
Standard features include: Digital CD Ignition System, Start in Gear Protection, Thermostat Controlled Cooling System, Through-The-Prop Exhaust, Oil Pressure Warning, and Shallow Water Drive	
*Standard on Electric Start Models	



Feel the Wind™

Dimensions



Dry Weight

(lbs/kg)

Model	MF	EF	EPT
Transom S:	94.7 (43.0)	103.6 (47.0)	113.5 (51.5)
Transom L:	97.0 (44.0)	105.8 (48.0)	115.7 (52.5)

Dimensions

(in/mm)

Model	A	B	C
Transom S:	43.9 (1116)	16.3 (413)	28.9 (735)
Transom L:	49.5 (1258)	22.1 (562)	34.3 (872)